



TransAmerican
Power Products, Inc.

*Roadway Lighting
Standards*

"R1" SERIES

"R2" SERIES

"R3" SERIES

"R4" SERIES

"R5" SERIES





TransAmerican
Power Products, Inc.

QUALITY STEEL POLES

TransAmerican Power Products, Inc. (TAPP) has achieved international recognition from supplying steel poles and their accompanying products throughout North, Central and South America, as well as in the Caribbean and the Pacific. We have maintained our success over the years by constantly finding new ways of improving our products and services. We have implemented radical changes in our organization in order to develop the people and the resources necessary to expand our horizons and grow world wide. We are continuously improving our engineering, manufacturing and marketing capabilities to achieve a more prominent position in the national market, and open new International doors. Our dedication to excellence will allow us to become the International leader in the steel pole market.

2427 Kelly Lane Houston, Texas 77066

Phone: **(281) 444-TAPP (8277)** Fax: **(281) 444-7270**

Please visit our web site at: **www.tappinc.com**

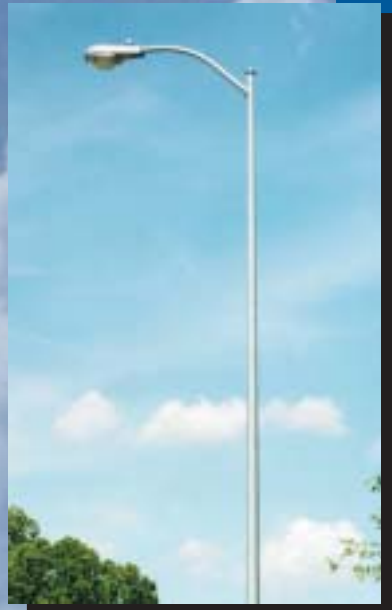
C contents



“R1” SERIES

Tapered Tube Arm

with 2.5 ft. Rise



“R2” SERIES

Pipe Arm

with 1.5 ft.



“R3” SERIES

Pipe Arm

with 3.5 ft.



“R4” SERIES

Truss Arm

with 3.5 ft.



“R5” SERIES

Truss Arm

with 5.5 ft.

"R1" SERIES



Roadway Lighting Pole (25'-45')

Roadway Lighting Structures

The "R1" Series is a round tapered roadway lighting pole offered in standard mounting heights from 25 to 45 feet. This series is equipped with either one or two tapered tube arms available in standard sizes from 8 to 15 feet with a rise of 2.5 feet. However, if the standard pole and arm sizes do not meet client requirements, a structure can be custom designed to any specifications.

Poles are designed in accordance with the AASHTO publication "Standard Specifications for Structural Supports for Highway Signs, Luminaires and Traffic Signals"-latest edition.

Standard finishes include hot-dipped galvanizing, powder coating, prime coat and finish coat painting. For more information see our Finishes Catalog.

Pole Shaft

The pole shaft is fabricated from a structural quality weldable grade of hot-rolled carbon steel with a minimum yield strength of 55,000 psi. The shaft is one piece construction and has a round cross-section with a uniform taper of 0.14 inches per foot of length.

Base Plate

The base plate is fabricated from structural quality weldable hot-rolled carbon steel with a minimum yield strength of 36,000 psi.

Anchor Bolts

The anchor bolts are fabricated from hot-rolled carbon steel bars with a minimum yield strength of 55,000 psi. The threaded end is galvanized a minimum of 12" and each bolt is furnished with two flat washers and two hex nuts.

Handhole

The poles are furnished with a 4" x 6" handhole located 15 inches above the base. The handhole has a 1/2"-13 UNC nut for grounding purposes and is supplied with a handhole cover and required hardware.

Luminaire Arm

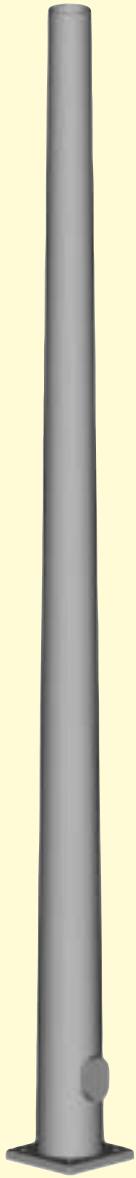
The tapered tube arm is fabricated from a structural quality weldable grade of hot-rolled carbon steel with a minimum yield strength of 55,000 psi. The arm has a round cross-section and a uniform taper of 0.14 inches per foot of length.

Arm Connection

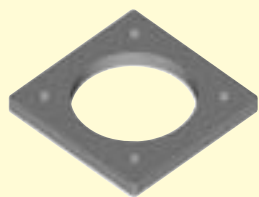
The three-bolt simplex is cast from carbon steel with a minimum yield strength of 36,000 psi. The simplex is supplied with three 3/4" -13 UNC structural hex bolts.



"R1" SERIES



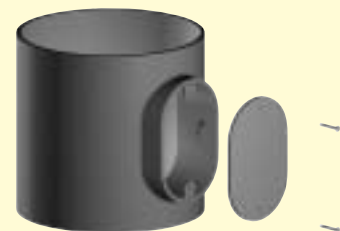
Pole Shaft



Base Plate

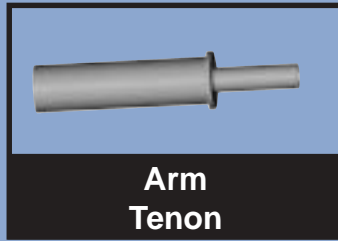


Anchor Bolt



Handhole

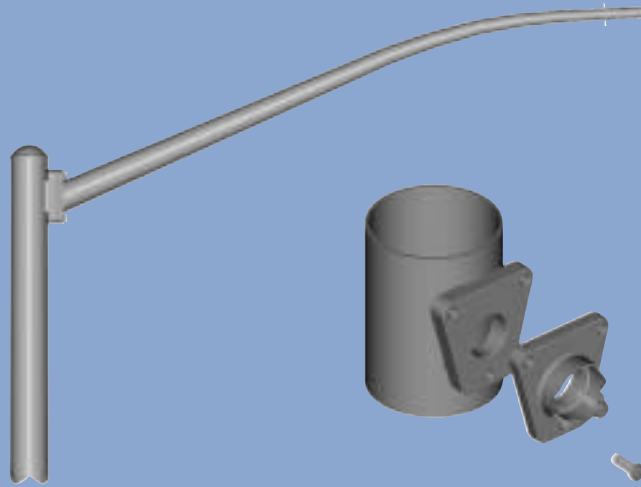
Luminaire Mountings



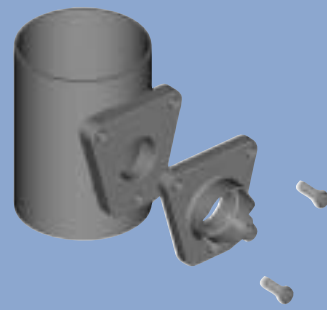
Arm Tenon



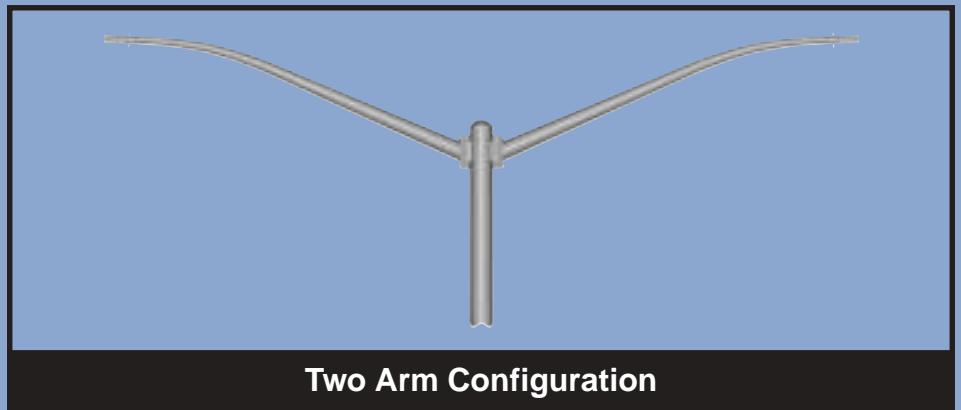
Cobra Head Luminaire



One Arm Configuration



Three-Bolt Simplex Connection



Two Arm Configuration



"R1" SERIES

One Arm Configuration

Shaft			Base Plate			Anchor Bolts		Arm		
Nom. Mntg. Height (ft.)	Catalog Number	Base O.D. (in.)	Top O.D. (in.)	Wall Thk.	Bolt Circle (in.)	Plate Square (in.)	Plate Thk. (in.)	Bolt Dia x Lgth x Hk. (in.)	Length (ft.)	Struct Wght. (lbs.)
25	R1-23A622L	6.22	3.0	A	9.5	9.5	0.75	1.0 x 36 x 4	8	191
	R1-23A700M	7.0	3.78	A	10	10	0.75	1.0 x 36 x 4	12	239
	R1-23A750H	7.5	4.28	A	10.5	10.5	1.0	1.0 x 36 x 4	15	280
30	R1-28A692L	6.92	3.0	A	10	10	1.0	1.0 x 36 x 4	8	240
	R1-28A750M	7.5	3.58	A	10.5	10.5	1.0	1.0 x 36 x 4	12	286
	R1-28A800H	8.0	4.08	A	11	11	1.0	1.0 x 36 x 4	15	326
35	R1-33A800L	8.0	3.38	A	11	11	1.0	1.0 x 36 x 4	8	308
	R1-33A850M	8.5	3.88	A	11.5	11.5	1.0	1.0 x 36 x 4	12	356
	R1-33A900H	9.0	4.38	A	12	12	1.0	1.0 x 36 x 4	15	399
40	R1-38A900L	9.0	3.68	A	12	12	1.0	1.0 x 36 x 4	8	383
	R1-38A950M	9.5	4.18	A	12.5	12.5	1.0	1.0 x 36 x 4	12	433
	R1-38A100H	10	4.68	A	13	13	1.0	1.0 x 36 x 4	15	480
45	R1-43A950L	9.5	3.48	A	12.5	12.5	1.0	1.0 x 36 x 4	8	435
	R1-43A100M	10	3.98	A	13	13	1.0	1.0 x 36 x 4	12	489
	R1-43A110H	11	4.98	A	14.5	14.5	1.25	1.25 x 42 x 6	15	572

Two Arm Configuration

Shaft			Base Plate			Anchor Bolts		Arm		
Nom. Mntg. Height (ft.)	Catalog Number	Base O.D. (in.)	Top O.D. (in.)	Wall Thk.	Bolt Circle (in.)	Plate Square (in.)	Plate Thk. (in.)	Bolt Dia x Lgth x Hk. (in.)	Length (ft.)	Struct Wght. (lbs.)
25	R1-23A622L	6.22	3.0	A	9.5	9.5	0.75	1.0 X 36 X 4	8	229
	R1-23A700M	7.0	3.78	A	10	10	0.75	1.0 X 36 X 4	12	300
	R1-23A750H	7.5	4.28	A	10.5	10.5	1.0	1.0 X 36 X 4	15	361
30	R1-28A692L	6.92	3.00	A	10	10	1.0	1.0 X 36 X 4	8	278
	R1-28A750M	7.5	3.58	A	10.5	10.5	1.0	1.0 X 36 X 4	12	347
	R1-28A800H	8.0	4.08	A	11	11	1.0	1.0 X 36 X 4	15	407
35	R1-33A800L	8	3.38	A	11	11	1.0	1.0 X 36 X 4	8	346
	R1-33A850M	8.5	3.88	A	11.5	11.5	1.0	1.0 X 36 X 4	12	417
	R1-33A900H	9.0	4.38	A	12	12	1.0	1.0 X 36 X 4	15	480
40	R1-38A900L	9.0	3.68	A	12	12	1.0	1.0 X 36 X 4	8	421
	R1-38A950M	9.5	4.18	A	12.5	12.5	1.0	1.0 X 36 X 4	12	494
	R1-38A100H	10	4.68	A	13	13	1.0	1.0 X 36 X 4	15	561
45	R1-43A950L	9.5	3.48	A	12.5	12.5	1.0	1.0 X 36 X 4	8	473
	R1-43A100M	10	3.98	A	13	13	1.0	1.0 X 36 X 4	12	550
	R1-43A110H	11	4.98	A	14.5	14.5	1.25	1.25 X 42 X 6	15	653

Wall Thk.

A = 11Gage
 C = 7 Gage
 D = .1875"
 F = 3 Gage
 G = .2500"
 H = .3125"
 I = .3750"
 J = .4375"
 K = .5000"



"R1" SERIES

Luminaire Arm

Length (ft.)	Rise (Ft.)	Base O.D. (in.)	Top O.D. (in.)	Wall Thk.
8	2.5	4.12	3	.1196
10	2.5	4.4	3	.1196
12	2.5	4.68	3	.1196
15	2.5	5.10	3	.1196

1. Nominal structure weight includes the pole shaft, baseplate and luminaire arm.
2. Designs are based upon 100 MPH wind velocity with a 1.3 gust and maximum luminaire EPA and weight of 1.75 sq. ft. and 75 lbs respectively.





Roadway Lighting Pole (25'-45')

Roadway Lighting Structures

The "R2" Series is a round tapered roadway lighting pole equipped with either one or two pipe arms having a rise of 1.5 feet. The pole is offered in standard mounting heights from 25 to 45 feet, however, if the standard sizes do not meet client requirements, a pole can be custom designed to any specifications.

Poles are designed in accordance with the AASHTO publication "Standard Specifications for Structural Supports for Highway Signs, Luminaires and Traffic Signals" latest edition.

Standard finishes include hot-dipped galvanizing, powder coating, prime coat and finish coat painting. For more information see our Finishes Catalog.

Pole Shaft

The pole shaft is fabricated from a structural quality weldable grade of hot-rolled carbon steel with a minimum yield strength of 55,000 psi. The shaft is one piece construction and has a round cross-section with a uniform taper of 0.14 inches per foot of length.

Base Plate

The base plate is fabricated from structural quality weldable hot-rolled carbon steel with a minimum yield strength of 36,000 psi.

Anchor Bolts

The anchor bolts are fabricated from hot-rolled carbon steel bars with a minimum yield strength of 55,000 psi. The threaded end is galvanized a minimum of 12" and each bolt is furnished with two flat washers and two hex nuts.

Handhole

The poles are furnished with a 4" x 6" handhole located 15 inches above the base. The handhole has a 1/2"-13 UNC nut for grounding purposes and is supplied with a handhole cover and required hardware.

Luminaire Arm

The pipe arm is made from 2" SCH 40 pipe with a minimum yield strength of 42,000 psi.

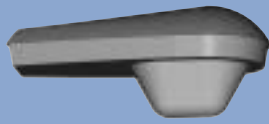
Arm Connection

The one-bolt simplex is cast from carbon steel with a minimum yield strength of 36,000 psi. The simplex is furnished with one 1/2"-13 UNC hex head bolt.

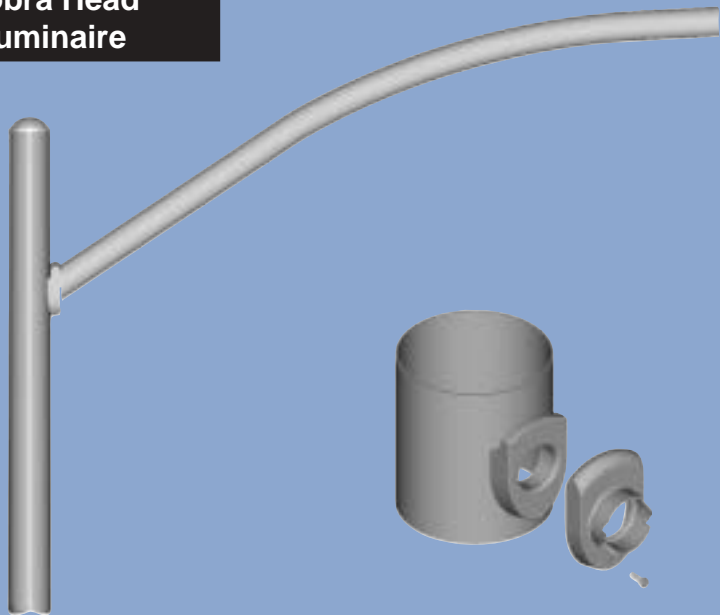


"R2" SERIES

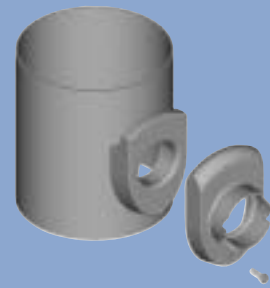
Luminaire Mountings



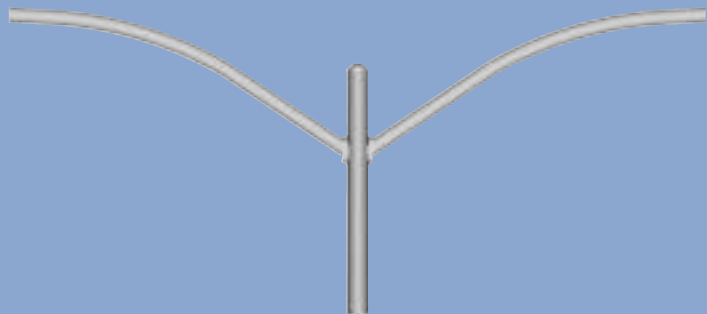
Cobra Head Luminaire



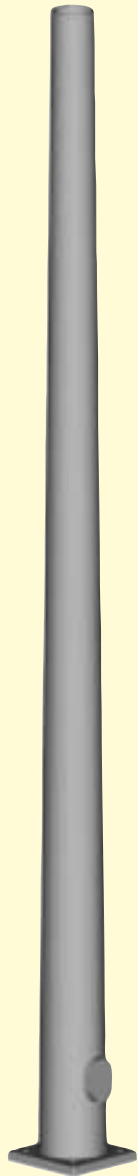
One Arm Configuration



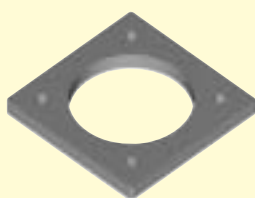
One-Bolt Simplex Connection



Two Arm Configuration



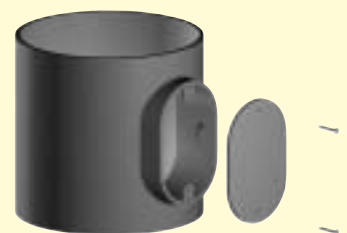
Pole Shaft



Base Plate



Anchor Bolt



Handhole



One Arm Configuration

Shaft					Base Plate			Anchor Bolts	Arm	
Nom. Mntg. Height (ft.)	Catalog Number	Base O.D. (in.)	Top O.D. (in.)	Wall Thk.	Bolt Circle (in.)	Plate Square (in.)	Plate Thk. (in.)	Bolt Dia x Lgth x Hk. (in.)	Length (ft.)	Struct Wght. (lbs.)
25	R2-24A636L	6.36	3.0	A	9.5	9.5	1.0	1.0 x 36 x 4	8	195
30	R2-29A706L	7.06	3.0	A	10	10	1.0	1.0 x 36 x 4	8	242
35	R2-34A776L	7.76	3.0	A	11	11	1.0	1.0 x 36 x 4	8	293
40	R2-39A846L	8.46	3.0	A	11.5	11.5	1.0	1.0 x 36 x 4	8	350
45	R2-44A916L	9.16	3.0	A	12.5	12.5	1.0	1.0 x 36 x 4	8	411

Two Arm Configuration

Shaft					Base Plate			Anchor Bolts	Arm	
Nom. Mntg. Height (ft.)	Catalog Number	Base O.D. (in.)	Top O.D. (in.)	Wall Thk.	Bolt Circle (in.)	Plate Square (in.)	Plate Thk. (in.)	Bolt Dia x Lgth x Hk. (in.)	Length (ft.)	Struct Wght. (lbs.)
25	R2-24A636L	6.36	3.0	A	9.5	9.5	1.0	1.0 X 36 X 4	8	225
30	R2-29A706L	7.06	3.0	A	10	10	1.0	1.0 X 36 X 4	8	272
35	R2-34A776L	7.76	3.0	A	11	11	1.0	1.0 X 36 X 4	8	323
40	R2-39A846L	8.46	3.0	A	11.5	11.5	1.0	1.0 X 36 X 4	8	380
45	R2-44A916L	9.16	3.0	A	12.5	12.5	1.0	1.0 X 36 X 4	8	441

Wall Thk.

- A = 11Gage
- C = 7 Gage
- D = .1875"
- F = 3 Gage
- G = .2500"
- H = .3125"
- I = .3750"
- J = .4375"
- K = .5000"



"R2" SERIES

1. Nominal structure weight includes the pole shaft, baseplate and luminaire arm.
2. Designs are based upon 100 MPH wind velocity with a 1.3 gust and maximum luminaire EPA and weight of 1.75 sq. ft. and 75 lbs respectively.



"R3" SERIES



Roadway Lighting Pole (25'-45')

Roadway Lighting Structures

The "R3" Series is a round tapered street lighting pole equipped with either one or two pipe arms having a rise of 3.5 feet. The pole is offered in standard mounting heights from 25 to 45 feet, however, if the standard sizes do not meet client requirements, a pole can be custom designed to any specifications.

Poles are designed in accordance with the AASHTO publication "Standard Specifications for Structural Supports for Highway Signs, Luminaires and Traffic Signals" latest edition.

Standard finishes include hot-dipped galvanizing, powder coating, prime coat and finish coat painting. For more information see our Finishes Catalog.

Pole Shaft

The pole shaft is fabricated from a structural quality weldable grade of hot-rolled carbon steel with a minimum yield strength of 55,000 psi. The shaft is one piece construction and has a round cross-section with a uniform taper of 0.14 inches per foot of length.

Base Plate

The base plate is fabricated from structural quality weldable hot-rolled carbon steel with a minimum yield strength of 36,000 psi.

Anchor Bolts

The anchor bolts are fabricated from hot-rolled carbon steel bars with a minimum yield strength of 55,000 psi. The threaded end is galvanized a minimum of 12" and each bolt is furnished with two flat washers and two hex nuts.

Handhole

The poles are furnished with a 4" x 6" handhole located 15 inches above the base. The handhole has a $\frac{1}{2}$ "-13 UNC nut for grounding purposes and is supplied with a handhole cover and required hardware.

Luminaire Arm

The pipe arm is made from 2" SCH 40 pipe with a minimum yield strength of 42,000 psi.

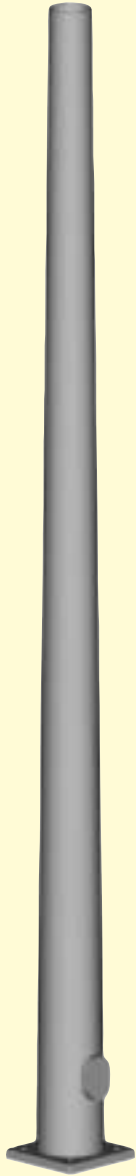
Arm Connection

The one-bolt simplex is cast from carbon steel with a minimum yield strength of 36,000 psi. The simplex is furnished with one $\frac{1}{2}$ " 13-UNC hex head bolt.

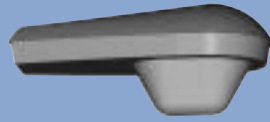


"R3" SERIES

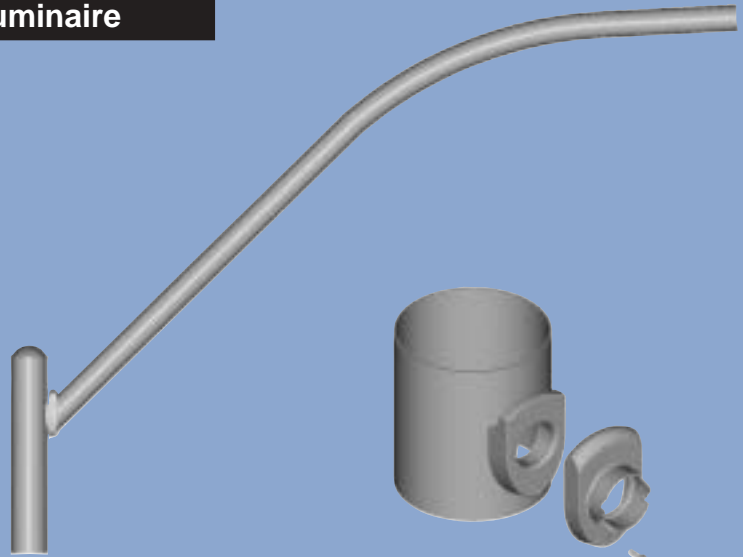
Luminaire Mountings



Pole Shaft

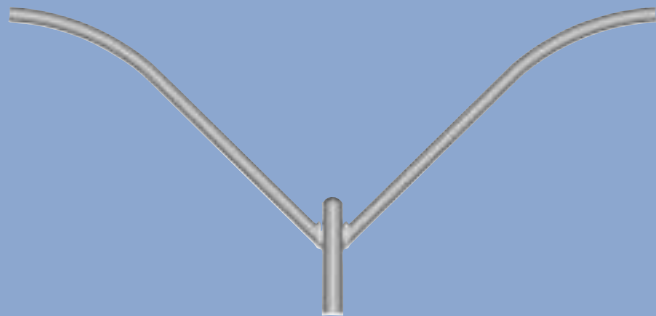


Cobra Head Luminaire

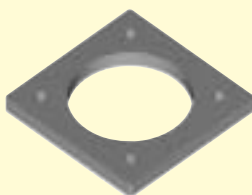


One Arm Configuration

One-Bolt Simplex Connection



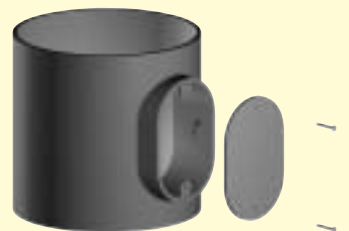
Two Arm Configuration



Base Plate



Anchor Bolt



Handhole



One Arm Configuration

Shaft					Base Plate			Anchor Bolts	Arm	
Nom. Mntg. Height (ft.)	Catalog Number	Base O.D. (in.)	Top O.D. (in.)	Wall Thk.	Bolt Circle (in.)	Plate Square (in.)	Plate Thk. (in.)	Bolt Dia x Lgth x Hk. (in.)	Length (ft.)	Struct Wght. (lbs.)
25	R3-22A608L	6.08	3.0	A	9.5	9.5	1.0	1.0 x 36 x 4	8	178
30	R3-27A678L	6.78	3.0	A	10	10	1.0	1.0 x 36 x 4	8	223
35	R3-32A748L	7.48	3.0	A	10.5	10.5	1.0	1.0 x 36 x 4	8	272
40	R3-37A818L	8.18	3.0	A	11.5	11.5	1.0	1.0 x 36 x 4	8	327
45	R3-42A888L	8.88	3.0	A	12	12	1.0	1.0 x 36 x 4	8	386

Two Arm Configuration

Shaft					Base Plate			Anchor Bolts	Arm	
Nom. Mntg. Height (ft.)	Catalog Number	Base O.D. (in.)	Top O.D. (in.)	Wall Thk.	Bolt Circle (in.)	Plate Square (in.)	Plate Thk. (in.)	Bolt Dia x Lgth x Hk. (in.)	Length (ft.)	Struct Wght. (lbs.)
25	R3-22A608L	6.08	3.0	A	9.5	9.5	1.0	1.0 X 36 X 4	8	208
30	R3-27A678L	6.78	3.0	A	10	10	1.0	1.0 X 36 X 4	8	253
35	R3-32A748L	7.48	3.0	A	10.5	10.5	1.0	1.0 X 36 X 4	8	302
40	R3-37A818L	8.18	3.0	A	11.5	11.5	1.0	1.0 X 36 X 4	8	357
45	R3-42A888L	8.88	3.0	A	12	12	1.0	1.0 X 36 X 4	8	416

Wall Thk.

- A = 11Gage
- C = 7 Gage
- D = .1875"
- F = 3 Gage
- G = .2500"
- H = .3125"
- I = .3750"
- J = .4375"
- K = .5000"



"R3" SERIES

1. Nominal structure weight includes the pole shaft, baseplate and luminaire arm.
2. Designs are based upon 100 MPH wind velocity with a 1.3 gust and maximum luminaire EPA and weight of 1.75 sq. ft. and 75 lbs respectively.





Roadway Lighting Pole (25'-45')

Roadway Lighting Structures

The "R4" Series is a round tapered roadway lighting pole equipped with either one or two truss arms having a rise of 3.5 feet. The pole is offered in standard mounting heights from 25 to 45 feet, however, if the standard sizes do not meet client requirements, a pole can be custom designed to any specifications.

Poles are designed in accordance with the AASHTO publication "Standard Specifications for Structural Supports for Highway Signs, Luminaires and Traffic Signals" latest edition.

Standard finishes include hot-dipped galvanizing, powder coating, prime coat and finish coat painting. For more information see our Finishes Catalog.

Pole Shaft

The pole shaft is fabricated from a structural quality weldable grade of hot-rolled carbon steel with a minimum yield strength of 55,000 psi. The shaft is one piece construction and has a round cross-section with a uniform taper of 0.14 inches per foot of length.

Base Plate

The base plate is fabricated from structural quality weldable hot-rolled carbon steel with a minimum yield strength of 36,000 psi.

Anchor Bolts

The anchor bolts are fabricated from hot-rolled carbon steel bars with a minimum yield strength of 55,000 psi. The threaded end is galvanized a minimum of 12" and each bolt is furnished with two flat washers and two hex nuts.

Handhole

The poles are furnished with a 4" x 6" handhole located 15 inches above the base. The handhole has a 1/2"-13 UNC nut for grounding purposes and is supplied with a handhole cover and required hardware.

Luminaire Arm

The truss arm is made from 2" SCH 40 pipe with a minimum yield strength of 42,000 psi.

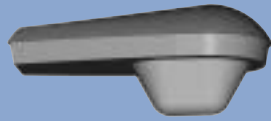
Arm Connection

The two bolt simplexes are cast from carbon steel with a minimum yield strength of 36,000 psi. The simplexes are furnished with two 1/2" 13-UNC hex head bolts.

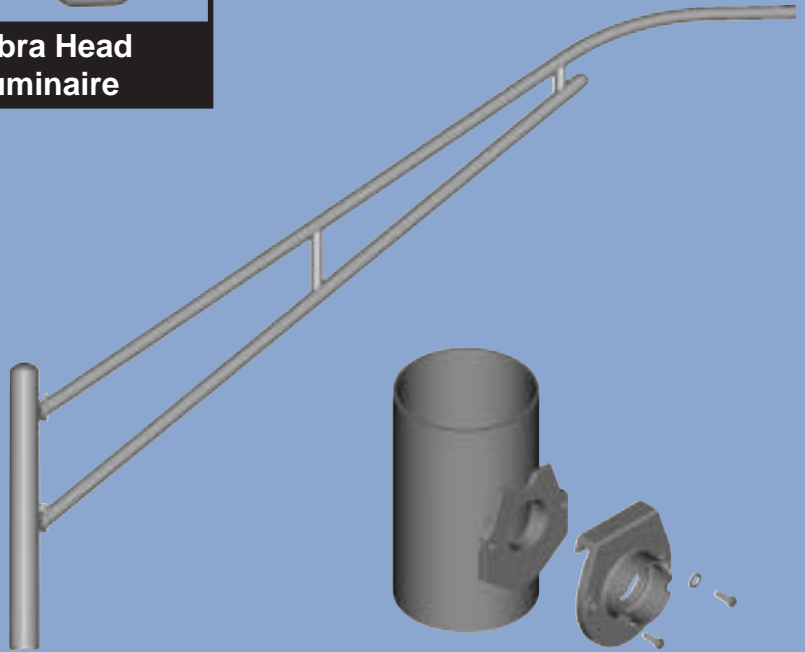


"R4" SERIES

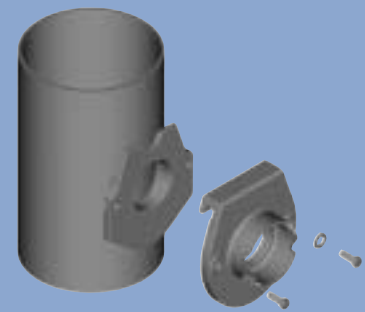
Luminaire Mountings



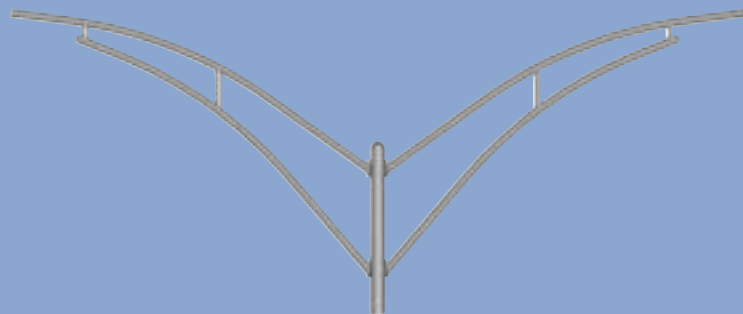
Cobra Head Luminaire



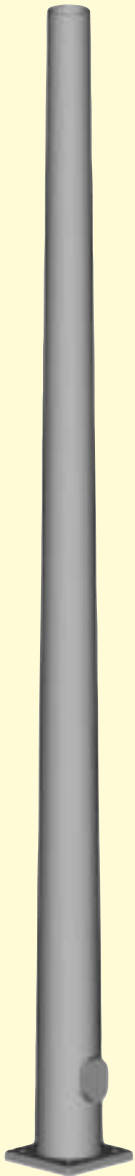
One Arm Configuration



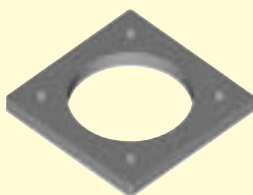
Two-Bolt Simplex Connection



Two Arm Configuration



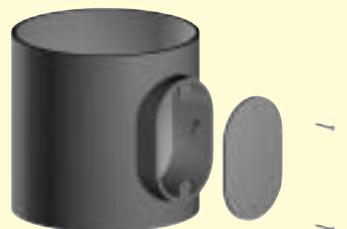
Pole Shaft



Base Plate



Anchor Bolt



Handhole



One Arm Configuration

Shaft					Base Plate			Anchor Bolts	Arm	
Nom. Mntg. Height (ft.)	Catalog Number	Base O.D. (in.)	Top O.D. (in.)	Wall Thk.	Bolt Circle (in.)	Plate Square (in.)	Plate Thk. (in.)	Bolt Dia x Lgth x Hk. (in.)	Length (ft.)	Struct Wght. (lbs.)
25	R4-22A608L	6.08	3.00	A	9.0	9.0	1.0	1.0 x 36 x 4	10	228
	R4-22A650M	6.5	3.42	A	9.5	9.5	1.0	1.0 x 36 x 4	12	251
	R4-22A700H	7.0	3.92	A	10	10	1.0	1.0 x 36 x 4	15	278
30	R4-27A678L	6.78	3.00	A	10	10	1.0	1.0 x 36 x 4	10	273
	R4-27A750M	7.5	3.72	A	10.5	10.5	1.0	1.0 x 36 x 4	12	311
	R4-27A800H	8.0	4.22	A	11	11	1.0	1.0 x 36 x 4	15	340
35	R4-32A800L	8.0	3.52	A	11	11	1.0	1.0 x 36 x 4	10	345
	R4-32A850M	8.5	4.02	A	11.5	11.5	1.0	1.0 x 36 x 4	12	379
	R4-32A900H	9.0	4.52	A	12	12	1.0	1.0 x 36 x 4	15	412
40	R4-37A850L	8.5	3.32	A	11.5	11.5	1.0	1.0 x 36 x 4	10	393
	R4-37A900M	9.0	3.82	A	12	12	1.0	1.0 x 36 x 4	12	430
	R4-37A950H	9.5	4.32	A	12.5	12.5	1.0	1.0 x 36 x 4	15	466
45	R4-42A900L	9.0	3.12	A	12	12	1.0	1.0 x 36 x 4	10	442
	R4-42A950M	9.5	3.62	A	12.5	12.5	1.0	1.0 x 36 x 4	12	482
	R4-42A100H	10	4.12	A	10	10	1.0	1.0 x 36 x 4	15	523

Two Arm Configuration

Shaft					Base Plate			Anchor Bolts	Arm	
Nom. Mntg. Height (ft.)	Catalog Number	Base O.D. (in.)	Top O.D. (in.)	Wall Thk.	Bolt Circle (in.)	Plate Square (in.)	Plate Thk. (in.)	Bolt Dia x Lgth x Hk. (in.)	Length (ft.)	Struct Wght. (lbs.)
25	R4-22A608L	6.08	3.0	A	9	9	1.0	1.0 x 36 x 4	10	308
	R4-22A650M	6.5	3.42	A	9.5	9.5	1.0	1.0 x 36 x 4	12	341
	R4-22A700H	7.0	3.92	A	10	10	1.0	1.0 x 36 x 4	15	378
30	R4-27A678L	6.78	3.0	A	10	10	1.0	1.0 x 36 x 4	10	353
	R4-27A750M	7.5	3.72	A	10.5	10.5	1.0	1.0 x 36 x 4	12	401
	R4-27A800H	8.0	4.22	A	11	11	1.0	1.0 x 36 x 4	15	440
35	R4-32A800L	8.0	3.52	A	11	11	1.0	1.0 x 36 x 4	10	425
	R4-32A850M	8.5	4.02	A	11.5	11.5	1.0	1.0 x 36 x 4	12	469
	R4-32A900H	9.0	4.52	A	12	12	1.0	1.0 x 36 x 4	15	512
40	R4-37A900L	9.0	3.82	A	12	12	1.0	1.0 x 36 x 4	10	500
	R4-37A950M	9.5	4.32	A	12.5	12.5	1.0	1.0 x 36 x 4	12	546
	R4-37A100H	10	4.82	A	13	13	1.0	1.0 x 36 x 4	15	593
45	R4-42A950L	9.5	3.62	A	12.5	12.5	1.0	1.0 x 36 x 4	10	552
	R4-42A100M	10	4.12	A	13	13	1.0	1.0 x 36 x 4	12	603
	R4-42A105H	10.5	4.62	A	13.5	13.5	1.0	1.0 x 36 x 4	15	655

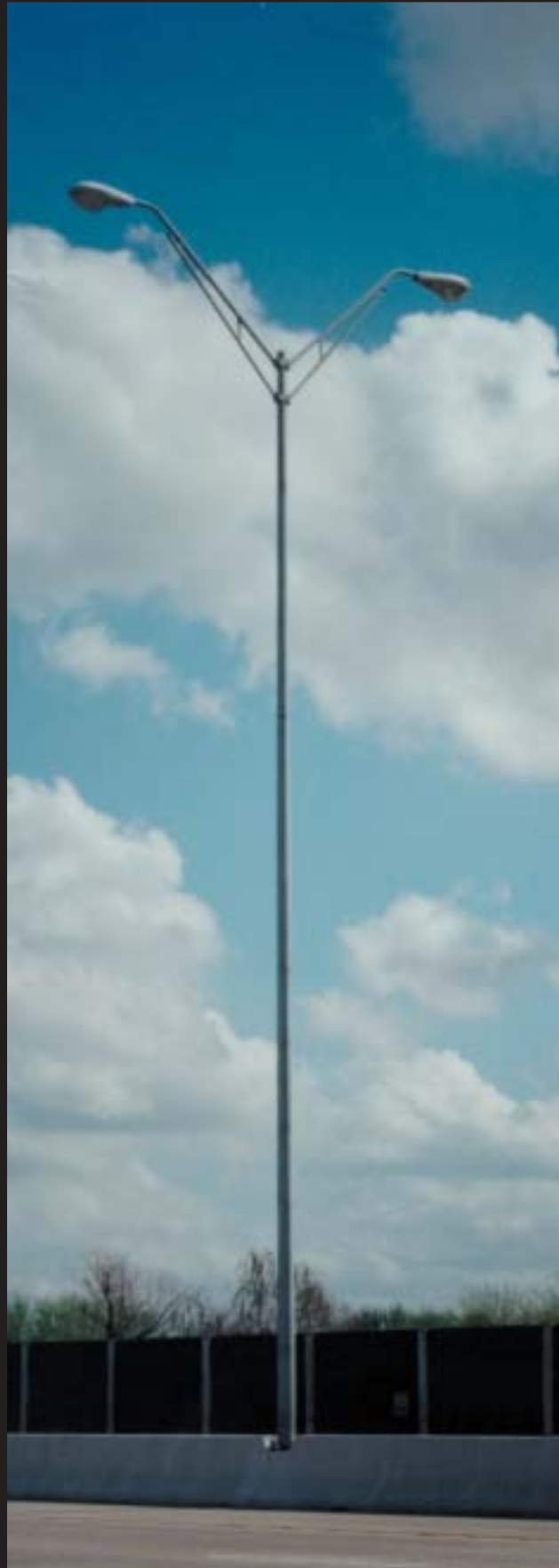
Wall Thk.

- A = 11Gage
- C = 7 Gage
- D = .1875"
- F = 3 Gage
- G = .2500"
- H = .3125"
- I = .3750"
- J = .4375"
- K = .5000"

1. Nominal structure weight includes the pole shaft, baseplate and luminaire arm.
2. Designs are based upon 100 MPH wind velocity with a 1.3 gust and maximum luminaire EPA and weight of 1.75 sq. ft. and 75 lbs respectively.



"R5" SERIES



Roadway Lighting Pole (25'-40')

Roadway Lighting Structures

The "R5" Series is a round tapered roadway lighting pole equipped with either one or two truss arms having a rise of 5.5 feet. The pole is offered in standard mounting heights from 25 to 40 feet, however, if the standard sizes do not meet client requirements, a pole can be custom designed to any specifications.

Poles are designed in accordance with the AASHTO publication "Standard Specifications for Structural Supports for Highway Signs, Luminaires and Traffic Signals" latest edition.

Standard finishes include hot-dipped galvanizing, powder coating, prime coat and finish coat painting. For more information see our Finishes Catalog.

Pole Shaft

The pole shaft is fabricated from a structural quality weldable grade of hot-rolled carbon steel with a minimum yield strength of 55,000 psi. The shaft is one piece construction and has a round cross-section with a uniform taper of 0.14 inches per foot of length.

Base Plate

The base plate is fabricated from structural quality weldable hot-rolled carbon steel with a minimum yield strength of 36,000 psi.

Anchor Bolts

The anchor bolts are fabricated from hot-rolled carbon steel bars with a minimum yield strength of 55,000 psi. The threaded end is galvanized a minimum of 12" and each bolt is furnished with two flat washers and two hex nuts.

Handhole

The poles are furnished with a 4" x 6" handhole located 15" above the base. The handhole has a 1/2"-13 UNC nut for grounding purposes and is supplied with a handhole cover and required hardware.

Luminaire Arm

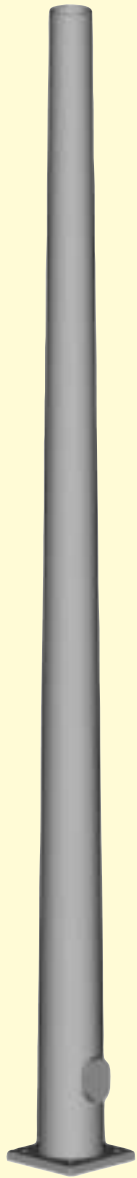
The truss arm is made from 2" SCH 40 pipe with a minimum yield strength of 42,000 psi.

Arm Connection

The two-bolt simplexes are cast from carbon steel with a minimum yield strength of 36,000 psi. The simplexes are furnished with two 1/2" 13-UNC hex head bolts.



"R5" SERIES

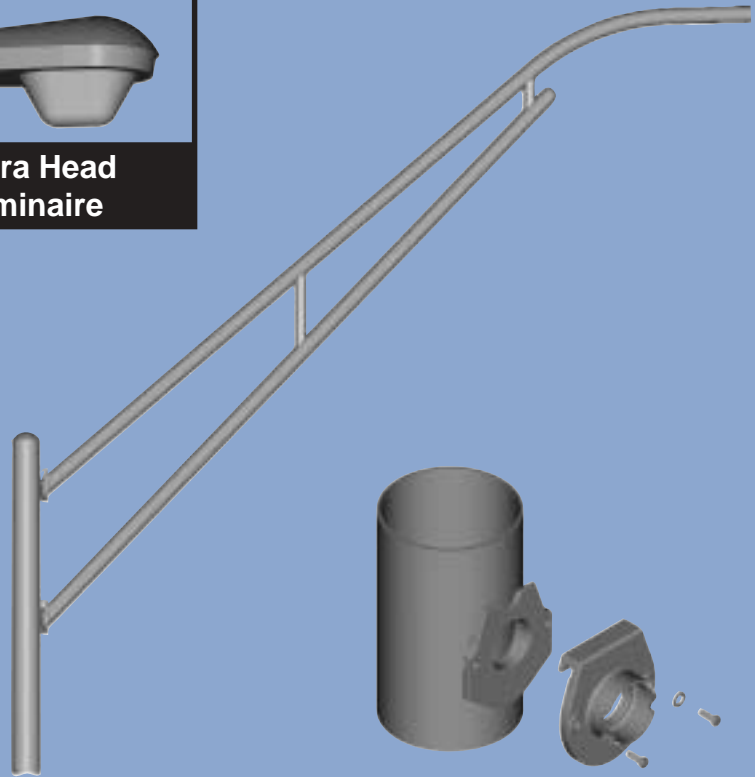


Pole Shaft

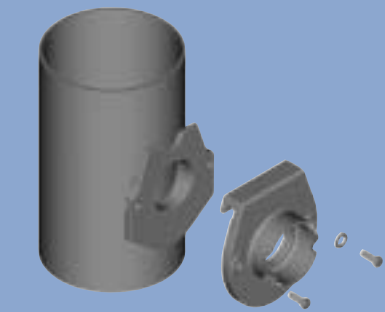
Luminaire Mountings



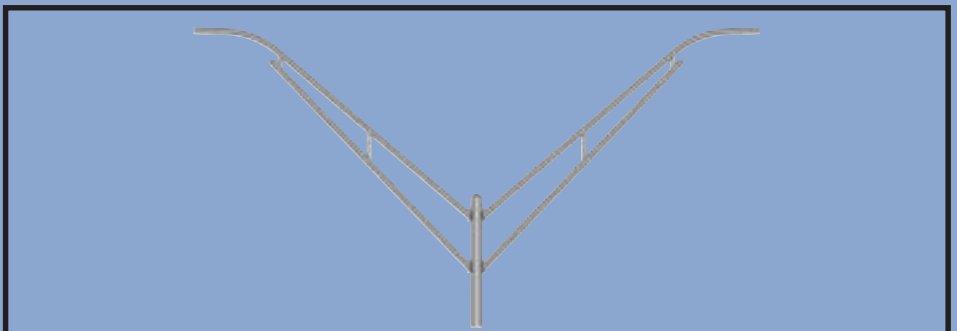
Cobra Head Luminaire



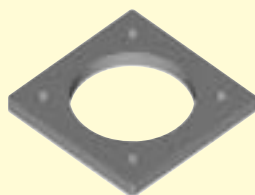
One Arm Configuration



Two-Bolt Simplex Connection



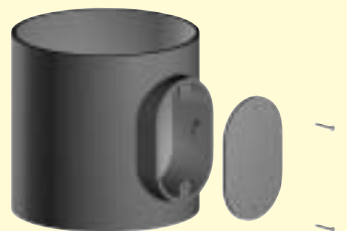
Two Arm Configuration



Base Plate



Anchor Bolt



Handhole



One Arm Configuration

Shaft			Base Plate			Anchor Bolts		Arm		
Nom. Mntg. Height (ft.)	Catalog Number	Base O.D. (in.)	Top O.D. (in.)	Wall Thk.	Bolt Circle (in.)	Plate Square (in.)	Plate Thk. (in.)	Bolt Dia x Lgth x Hk. (in.)	Length (ft.)	Struct Wght. (lbs.)
25	R5-20A580L	5.8	3.0	A	9.0	9.0	1.0	1.0 x 36 x 4	10	247
	R5-20A650M	6.5	3.7	A	9.5	9.5	1.0	1.0 x 36 x 4	12	276
	R5-20A700H	7.0	4.2	A	10	10	1.0	1.0 x 36 x 4	15	306
30	R5-25A650L	6.5	3.0	A	9.5	9.5	1.0	1.0 x 36 x 4	10	288
	R5-25A700M	7.0	3.5	A	10	10	1.0	1.0 x 36 x 4	12	317
	R5-25A775H	7.75	4.25	A	10.75	10.75	1.0	1.0 x 36 x 4	15	360
35	R5-30A750L	7.5	3.3	A	10.5	10.5	1.0	1.0 x 36 x 4	10	349
	R5-30A800M	8.0	3.8	A	11	11	1.0	1.0 x 36 x 4	12	381
	R5-30A875H	8.75	4.55	A	12	12	1.0	1.0 x 36 x 4	15	429
40	R5-35A850L	8.5	3.6	A	11.5	11.5	1.0	1.0 x 36 x 4	10	419
	R5-35A900M	9.0	4.1	A	12	12	1.0	1.0 x 36 x 4	12	454
	R5-35A950H	9.5	4.6	A	12.5	12.5	1.0	1.0 x 36 x 4	15	494

Two Arm Configuration

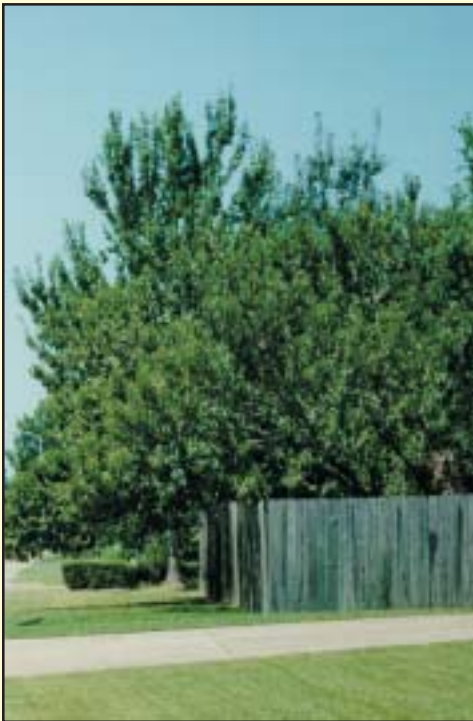
Shaft			Base Plate			Anchor Bolts		Arm		
Nom. Mntg. Height (ft.)	Catalog Number	Base O.D. (in.)	Top O.D. (in.)	Wall Thk.	Bolt Circle (in.)	Plate Square (in.)	Plate Thk. (in.)	Bolt Dia x Lgth x Hk. (in.)	Length (ft.)	Struct Wght. (lbs.)
25	R5-20A600L	6.0	3.2	A	9.0	9.0	1.0	1.0 x 36 x 4	10	368
	R5-20A650M	6.5	3.7	A	9.5	9.5	1.0	1.0 x 36 x 4	12	401
	R5-20A700H	7.0	4.2	A	10	10	1.0	1.0 x 36 x 4	15	447
30	R5-25A700L	7.0	3.5	A	10	10	1.0	1.0 x 36 x 4	10	422
	R5-25A750M	7.5	4.0	A	10.5	10.5	1.0	1.0 x 36 x 4	12	460
	R5-25A850H	8.5	4.5	A	11.5	11.5	1.0	1.0 x 36 x 4	15	527
35	R5-30A800L	8.0	3.8	A	11	11	1.0	1.0 x 36 x 4	10	486
	R5-30A850M	8.5	4.3	A	11.5	11.5	1.0	1.0 x 36 x 4	12	528
	R5-30A900H	9.0	4.8	A	12	12	1.0	1.0 x 36 x 4	15	580
40	R5-35A900L	9.0	4.1	A	12	12	1.0	1.0 x 36 x 4	10	559
	R5-35A950M	9.5	4.6	A	12.5	12.5	1.0	1.0 x 36 x 4	12	604
	R5-35A100H	10	5.1	A	13	13	1.0	1.0 x 36 x 4	15	660

Wall Thk.

- A = 11Gage
- C = 7 Gage
- D = .1875"
- F = 3 Gage
- G = .2500"
- H = .3125"
- I = .3750"
- J = .4375"
- K = .5000"



1. Nominal structure weight includes the pole shaft, baseplate and luminaire arm.
2. Designs are based upon 100 MPH wind velocity with a 1.3 gust and maximum luminaire EPA and weight of 1.75 sq. ft. and 75 lbs respectively.





TransAmerican
Power Products, Inc.

QUALITY STEEL POLES

TransAmerican Power Products, Inc. has been designing and manufacturing quality steel poles for over thirty-five years. We have developed a wide variety of competitively priced product lines to satisfy customer demands throughout the steel pole market.



Area Lighting



Roadway Lighting



Highmast Lighting



Sports Lighting



Traffic Signals



Communication



Tapered Shafts



T & D



Custom

2427 Kelly Lane Houston, Texas 77066

Phone: (281) 444-TAPP (8277) Fax: (281) 444-7270

Please visit our web site at: www.tappinc.com

TransAmerican Power Products Inc., herein after know as TAPP, warrants that the products manufactured by TAPP will be free from defects in materials and workmanship for the duration of one year from the date of delivery. If the warranty set forth above is breached, TAPP will correct defective workmanship or materials, or at TAPP's option, will replace the defective items. TAPP shall be provided unobstructed access to any product to perform its warranty obligation for the duration of the warranty. The buyer must report any warranty claim in writing to TAPP immediately upon discovery. TAPP shall have no obligation for breach of warranty if the buyer fails to store, install or maintain the product in accordance with (a) generally approved industry practices, or (b) the provisions set forth in this document, or (c) the provisions of any storage, installation or maintenance instructions furnished to the buyer.

The express warranty set forth in this article is exclusive and no other warranties of any kind whether statutory, oral, written, expressed or implied, including any implied warranty of merchantability or fitness for a particular purpose shall apply. The buyer's exclusive remedies and the seller's only obligations arising out of or in connection with defective material or workmanship, whether based on warranty, contract, tort (including negligence) or otherwise, shall be those stated herein.